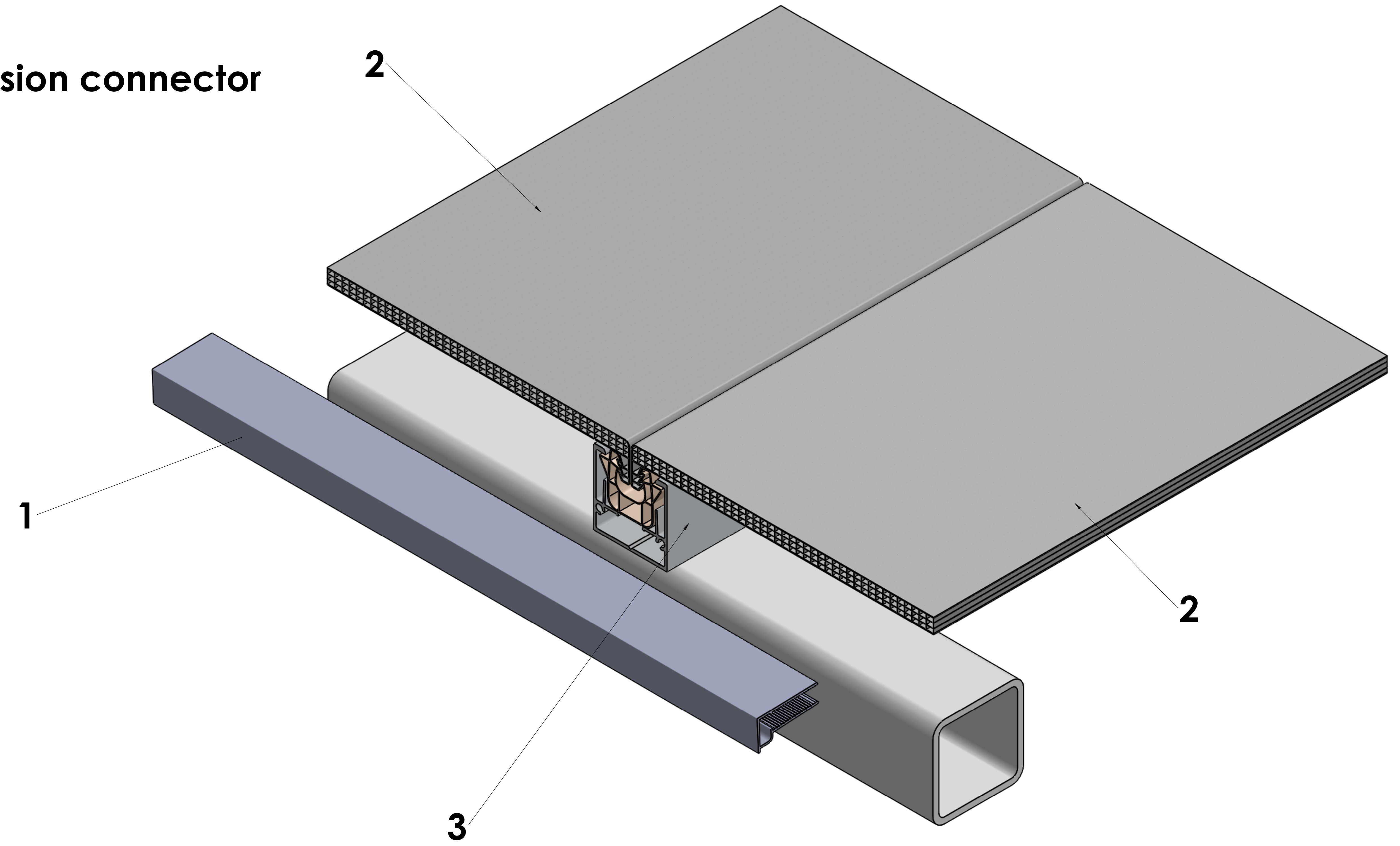


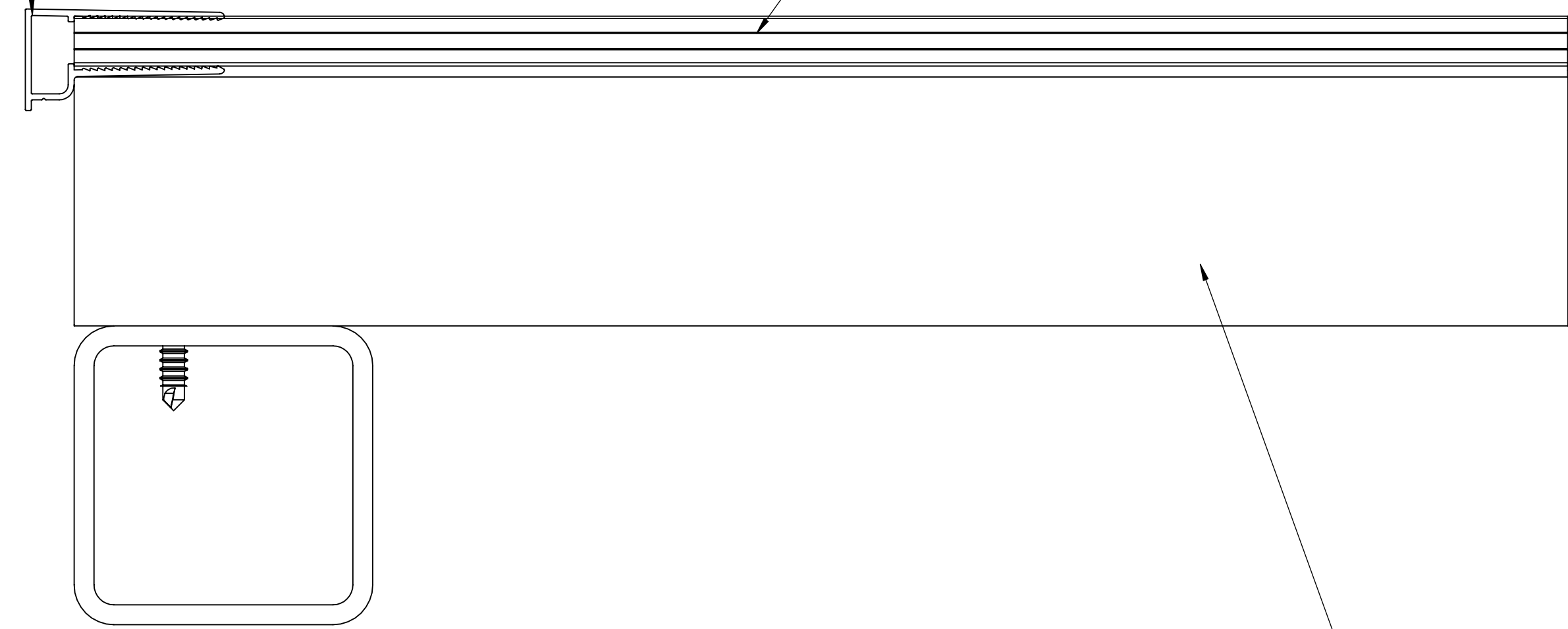
- 1. DanPal Alu UPD
- 2. DanPal panel
- 3. DanPal free expansion connector



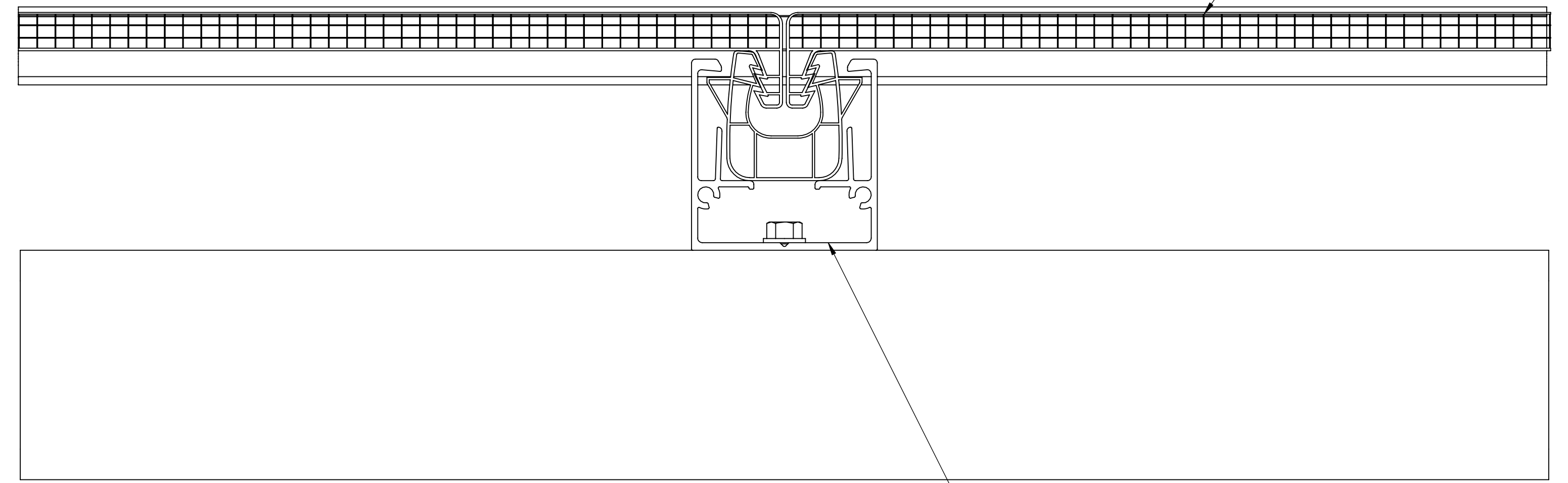
Alu UPD

DanPal panel

DanPal panel



DanPal free expansion connector



DanPal free expansion connector

NO.	NAME	SCHEDULE	DATE	REVISION

DO NOT SCALE DRAWING

SCALE: 1:1

SHEET 1 OF 1

wall expansion connector